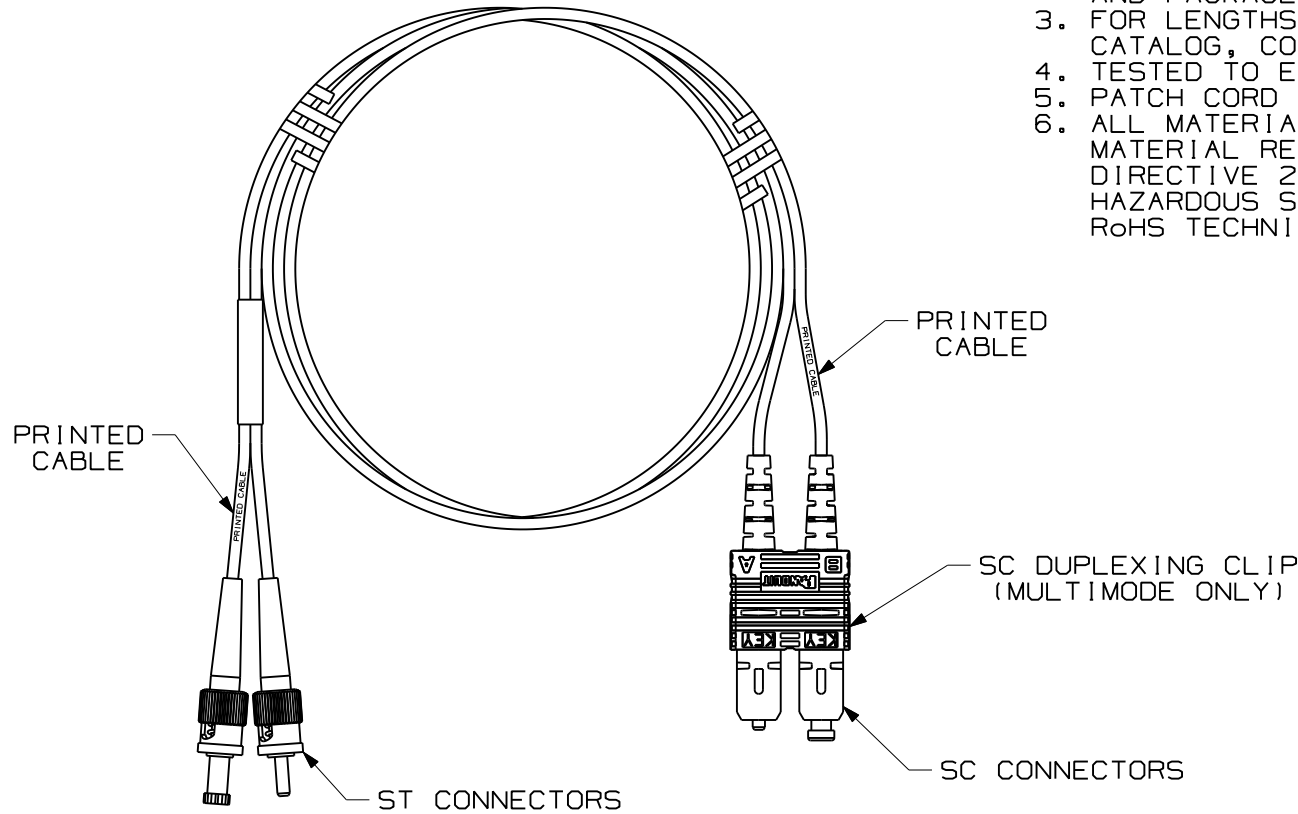


THIS COPY IS PROVIDED ON A RESTRICTED BASIS AND IS NOT TO BE USED IN ANY WAY DETRIMENTAL TO THE INTERESTS OF PANDUIT CORP.

NOTES:

1. SEE SHEET 2 FOR PRODUCT DESCRIPTIONS AND TECHNICAL SPECIFICATIONS.
2. SEE CURRENT CATALOG FOR PATCH CORD LENGTHS AND PACKAGE QUANTITIES.
3. FOR LENGTHS OTHER THAN THOSE LISTED IN CATALOG, CONTACT YOUR PANDUIT SALES PERSON.
4. TESTED TO EIA/TIA 568-B.3.
5. PATCH CORD ROUTING CONFIGURATION A TO B.
6. ALL MATERIALS AND COMPONENTS USED MEET THE MATERIAL RESTRICTIONS OF RoHS, (EUROPEAN DIRECTIVE 2002/95/EC ON THE RESTRICTION OF HAZARDOUS SUBSTANCES) AS PROPOSED BY THE RoHS TECHNICAL ADAPTATION COMMITTEE.

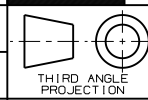


R	12-15-09	EFK		RELEASED TO PRODUCTION	01302-59					
REV	DATE	BY	CHK	DESCRIPTION	ECN	R	CUST	SUP	OTH	

NETKEY FIBER OPTIC PATCH CORD  
 DUPLEX ST TO SC CONFIGURATION  
 CUSTOMER DRAWING



**PANDUIT**™  
 CORP.  
 TINLEY PARK, ILL 60477



ALL DIMENSIONS ARE GIVEN IN INCHES  
 UNLESS OTHERWISE SPECIFIED.  
 DIMENSIONAL TOLERANCES ARE:  
 (.X) ±.010 (0.3)  
 (.XX) ±.03 (0.8) ANGLES

DRAWING FILENAME  
 M01302CY\_DC/00A

SCALE  
 NONE

DRAWN BY  
 EFK

MATERIAL

PART NO. NKF•GRO22-SM••  
 NKF•GLO22-SM••

DATE  
 12-15-09

CHK'D



DRAWING NO.  
 01302-59

SHEET 1 OF 2  
 SIZE  
 A

THIS COPY IS PROVIDED ON A RESTRICTED BASIS AND IS NOT TO BE USED IN ANY WAY DETRIMENTAL TO THE INTERESTS OF PANDUIT CORP.

DUPLEX ST TO SC FIBER OPTIC PATCH CORD

PANDUIT PART NUMBER	LENGTH (**) M = METERS	CABLE				CONNECTORS			
		FIBER TYPE	COUNT	RATING	COLOR	ST BOOT COLOR	SC BOOT COLOR	MAX. IL	MIN. RL
NKF6GR022-SM**	01, 02, 03, 05, 10	62.5/125 OM1	DUPLEX 3.0mm ZIPCORD	RISER (OFNR)	ORANGE  AQUA YELLOW	BLACK RED	WHITE	0.75dB	26dB
NKF5GR022-SM**		50/125 OM2					BLACK		
NKF5GR022-SM**		50/128 OM3					AQUA		
NKF9GR022-SM**		SINGLEMODE OS1					WHITE		
NKF6GL022-SM**		62.5/125 OM1		LOW SMOKE ZERO HALOGEN (LSZH)	ORANGE  AQUA YELLOW	BLACK RED	WHITE	0.75dB	26dB
NKF5GL022-SM**		50/125 OM2					BLACK		
NKF5GL022-SM**		50/128 OM3					AQUA		
NKF9GL022-SM**		SINGLEMODE OS1					WHITE		

										NETKEY FIBER OPTIC PATCH CORD DUPLEX ST TO SC CONFIGURATION CUSTOMER DRAWING					
										 <b>PANDUIT</b> ™ CORP. TINLEY PARK, ILL 60477					
										 THIRD ANGLE PROJECTION		ALL DIMENSIONS ARE GIVEN IN INCHES UNLESS OTHERWISE SPECIFIED. DIMENSIONAL TOLERANCES ARE: (.X) ±.03   (.XXX) ±.010   (.3) ±.010   ANGLES		DRAWING FILENAME M01302CY_DC/00A	
										DRAWN BY EFK		MATERIAL		PART NO. NKF•GR022-SM** NKF•GL022-SM**	
										DATE 12-15-09		DRAWING NO. 01302-59		SIZE A	
REV	DATE	BY	CHK	DESCRIPTION	ECN	R	CUST	SUP	OTH	CHK'D	SHEET 2 OF 2				